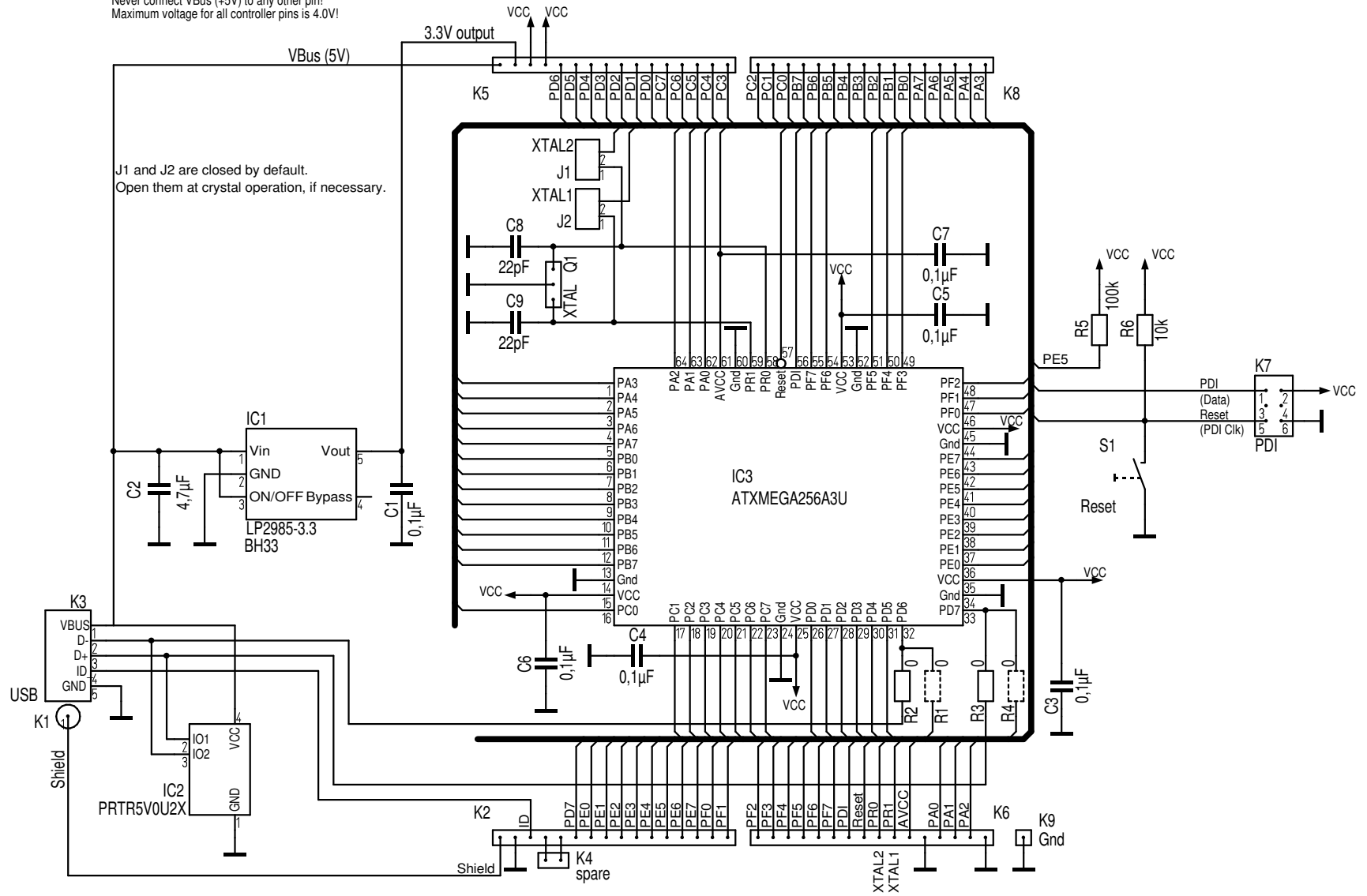


Caution!
 Never connect VBus (+5V) to any other pin!
 Maximum voltage for all controller pins is 4.0V!

J1 and J2 are closed by default.
 Open them at crystal operation, if necessary.



Datum: 10.05.12
 Name: Dipl.-Ing. (FH) Rainer Reusch
 letzte Änderung: 26.04.12

Maßstab: 100,00%
 Reusch Elektronik
 X3DIL.T3001

Projekt: **X3DIL**
 Rev. 1.0

A
B
C
D
E

A
B
C
D
E

1 2 3 4 5 6 7